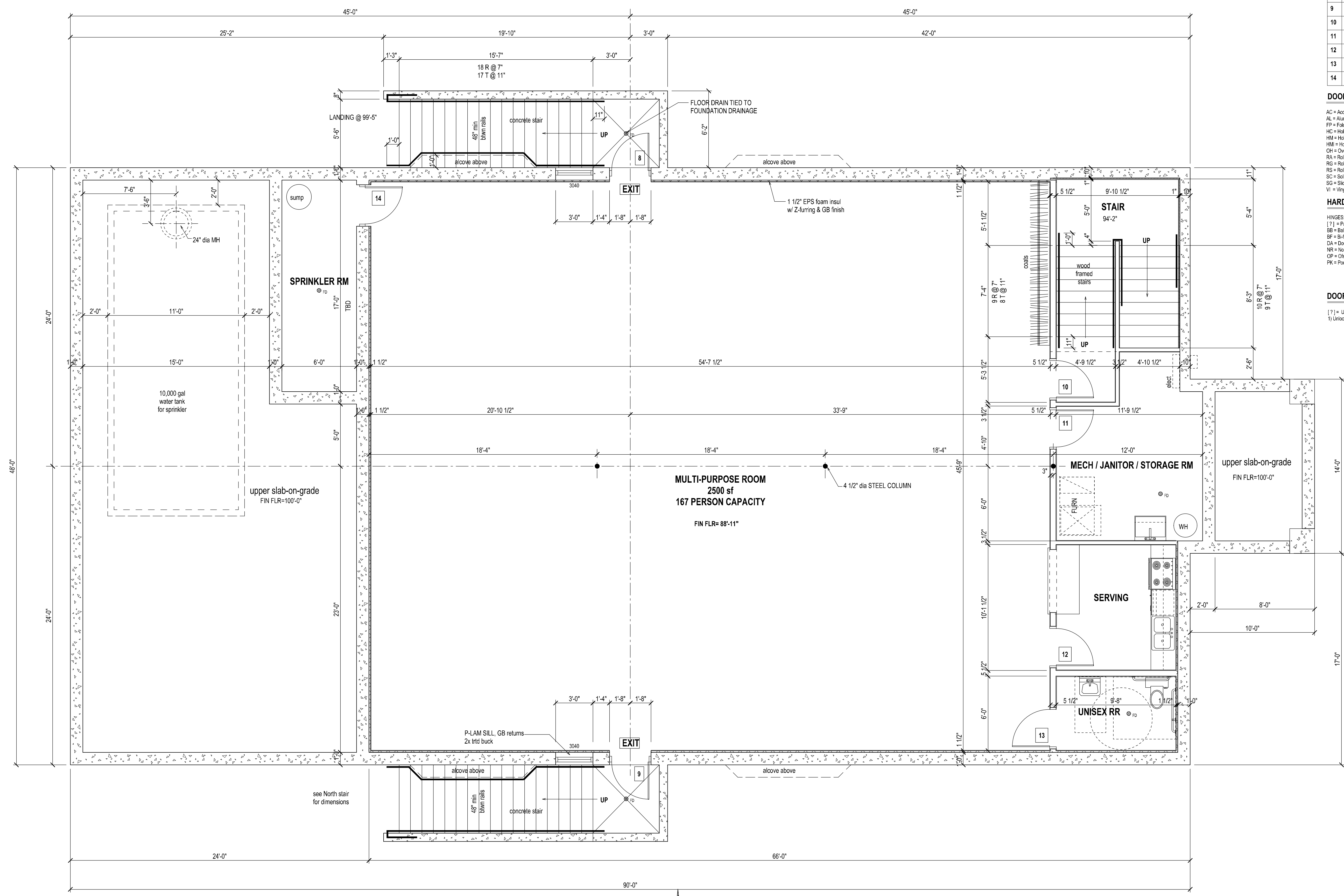
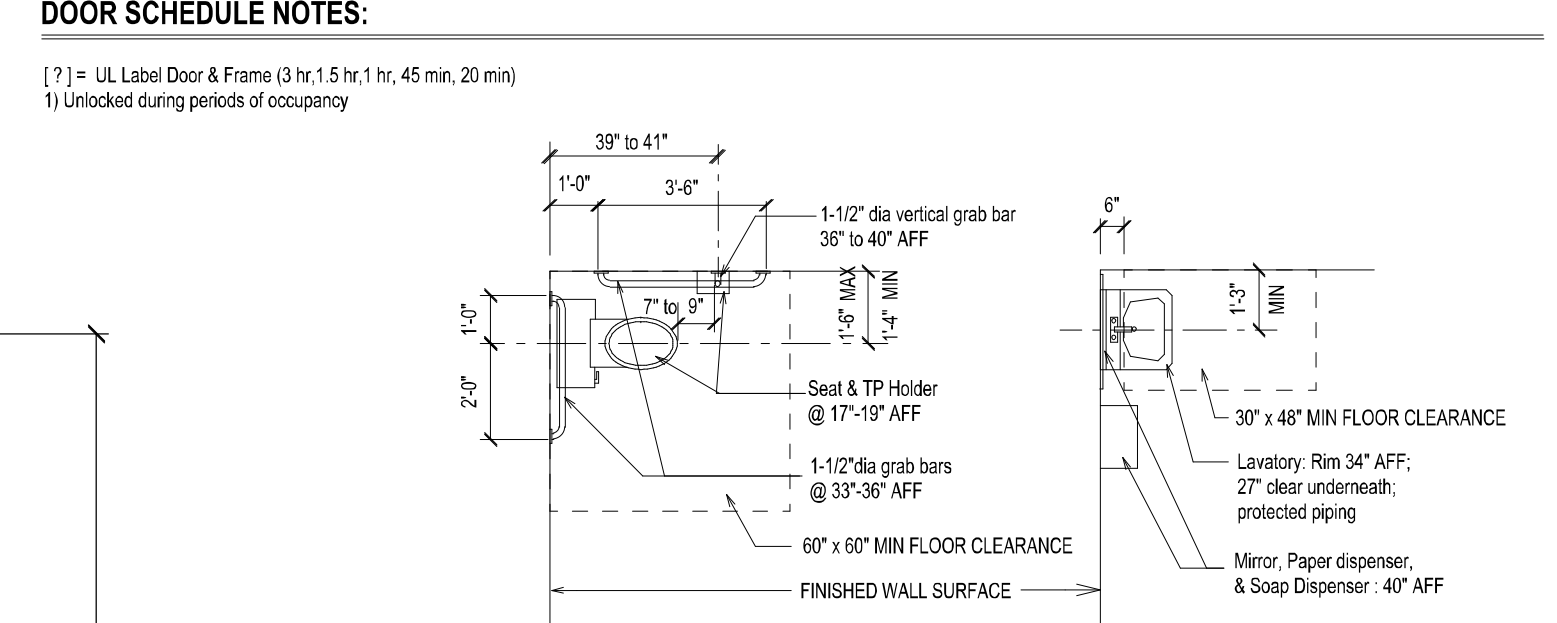


DOOR SCHEDULE									
NO	SIZE	DOOR LEAF	DOOR FRAME	HINGE	LATCH	CLOS	STOP	MISC	NOTES
1	3070 - PR	AL-F-IG	AL	OP	PB-PL-DB	C1		TH-WS-SW	1)
2	3070	AL-F-IG	AL	OP	PN	C1		TH-WS-SW	
3	3070	AL-F-IG	AL	OP	PN	C1		TH-WS-SW	
4	3068 - PR	SC-FR	HM	DA	PB-PB-DB		DF	KP-HF	1)
5	3068	SC	HM	1 1/2	PP-PL	C1	CN	KP-RR	
6					PP-PL	C1		KP-RR	
7					LK				
8	3070	AL-F-IG	AL	OP	PN	C1		TH-WS-SW	
9	3070	AL-F-IG	AL	OP	PN	C1		TH-WS-SW	
10	3068	SC-NL1	HM	1 1/2	PS	C1	CN		
11		SC							
12									
13					PR			RR	
14					PS				

- DOOR LEAF TYPES:**
- AC = Accordion Door
 - AL = Aluminum Entrance
 - FP = Folding Partition
 - HC = Hollow Core Wood, Veneer
 - HM = Hollow Metal
 - HML = Hollow Metal, Insul foam core
 - OH = Overhead Sectional Thermacore
 - RA = Roll-up Aluminum Shutter
 - RD = Roll-up Aluminum Grate
 - RS = Roll-up Steel Shutter
 - SC = Solid Core Wood, Rotary Birch Veneer
 - SG = Sliding Chain Gate
 - VI = Vinyl Inset
- DOOR FRAME TYPES:**
- AL = 2" Aluminum Framing
 - DW = Drywall Cased Opening
 - HM = 2" Hollow Metal Framing
 - MO = Masonry Opening
 - ST = Steel Framed Opening
 - WC = Wood Cased Opening
 - WB = 2x Wood Buck Framing
 - WU = Clad Wood Unlitized Frame
 - 4 = 4" Head
 - CM = Center Mullion
 - MM = Multiple Mullion
 - RM = Removable Center Mullion
 - SL = Integral Sillote Framing
 - TR = Transom
 - WV = Part of Window Wall Framing
- HARDWARE: (ADA Compliant)**
- HINGES:**
- [?] = Pairs of 4.5"x4.5" Butts
 - BB = Ball-Bearing
 - BF = Ball-Bearing
 - DA = Double Acting-spring return
 - NR = Non-removable Pin
 - OP = Clear Flush T&B
 - PK = Pocket Door Hdw
- LATCHSETS:**
- DB = Thumbturn Dead-bolt
 - DM = Dummy Latch
 - LK = Keyed Latchset
 - PB = Push-Bar
 - PL = Pull Handle
 - PN = Panic/Push Bar
 - PP = Push Plate
 - PR = Privacy Latchset
 - PS = Passage Latchset
 - SA = Simplex Alarm Latch
- CLOSURES:**
- AO = Automatic Operator
 - CL = Universal MTD
 - BC = Universal Mtd w/ Backcheck
 - HO = Universal MTD w/ Holdopen
 - ED = Electric Operator
 - SC = Electric Security Release
 - SD = Smoke Fire Release
 - C = Closure Co-ordinator
- STOPS:**
- BS = Base Mounted
 - CP = Surface Mtd Dropfoot
 - CD = Crash Chain
 - CN = Concave Wall Mtd
 - FL = Floor Mtd
 - HF = Head & Foot Bolts
- MISCELLANEOUS HWDE:**
- DG = Door Grille
 - DS = Integral Drop Sweep
 - HP = Kick Plate
 - LG = Latch Guard
 - RR = ADA Restroom Signage
 - SW = Surface Mtd Sweep
 - TH = Threshold
 - WS = Weatherstripping



BASEMENT PLAN
 1/4"=1'-0"

© COPYRIGHT
 These plans and designs depicted therein, including but not limited to, the overall form, arrangement and composition of spaces and elements of the design, are protected under Copyright Laws. Collectively they are the property of Thomas W. McCoy. Any copying or other unauthorized use can result in the cessation of such construction or the demolition of such resultant construction.

SUPREME STRUCTURES INCORPORATED
 2906 Marketplace Dr, Fitchburg, WI, 53719
 phone: 608-224-0777 fax: 608-224-0778
 www.supremestructures.com

McCOY ENGINEERING LLC
 1925 Tarragon Drive, Madison, WI, 53716-2332
 608-467-7455 E-mail: mccoymengineering@charter.net

PROJECT: AMERICAN HINDU ASSOC. TEMPLE & CULTURAL CTR
LOCATION: 2138 S FISH HATCHERY RD FITCHBURG, WI
SHEET TITLE: BASEMENT PLAN

DRAWN BY: TMC
APPRVD BY:
DATE: 10-24-13
SCALE: As Shown
DRAWING NO: T1321
SHEET NO: A-2.1